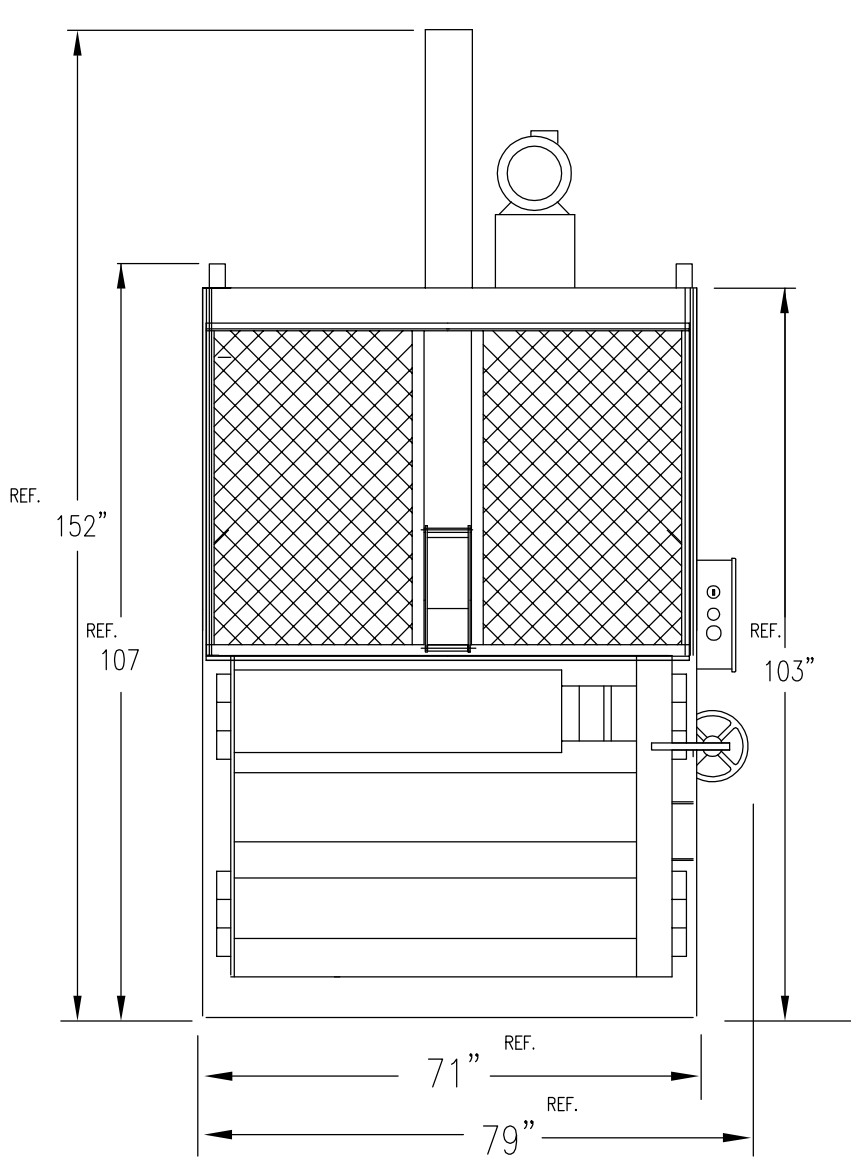
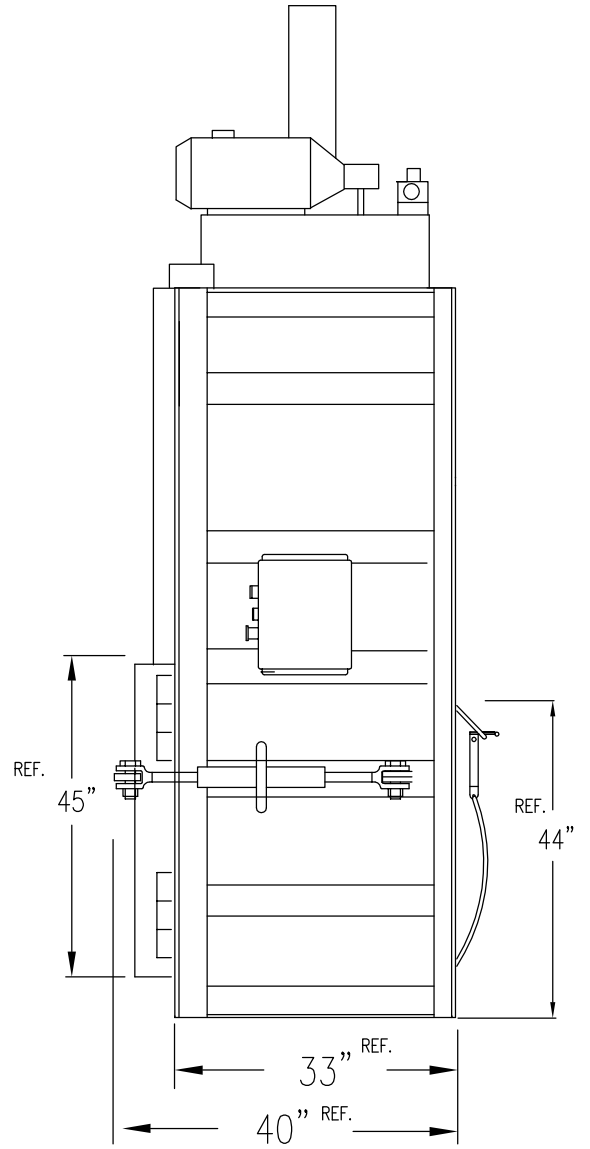


PTR BALER & COMPACTOR



FRONT VIEW



SIDE VIEW